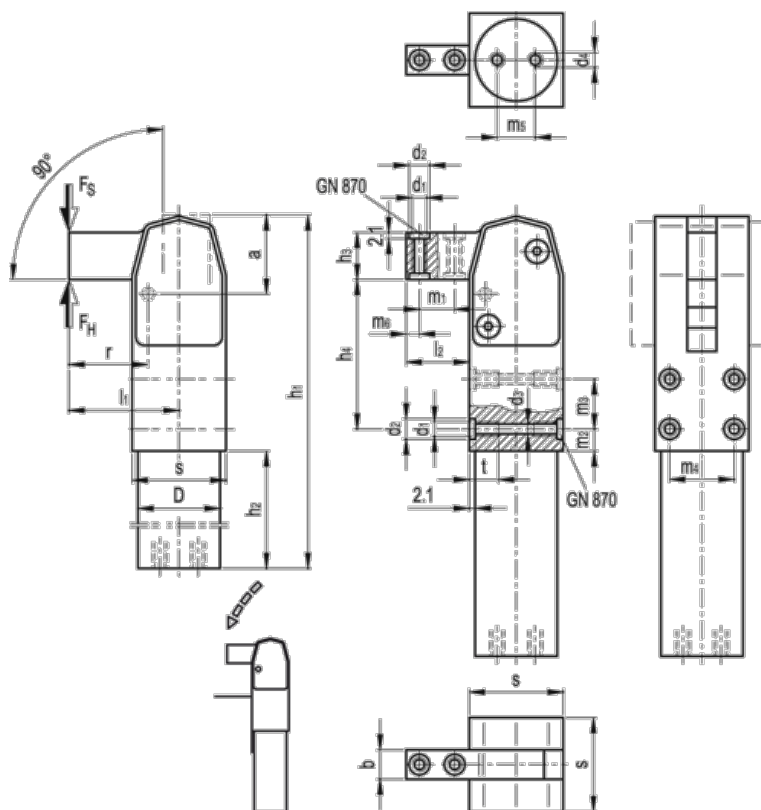


Article number: 201000050

Description: E+G Power clamp  
GN 864-40-BL-FG

## Measures



|                                   |         |                      |        |                          |        |
|-----------------------------------|---------|----------------------|--------|--------------------------|--------|
| a                                 | = 45    | h1 -0.5              | = 244  | m2                       | = 52   |
| b -0.2                            | = 16    | h2                   | = 104  | m3 +/-0.01               | = 18   |
| Clamping force at 6 bar (approx.) | = 6740  | h3                   | = 26   | Weight (g)               | = 2650 |
| d1                                | = M8    | h4                   | = 91.5 | m5                       | =      |
| d2 H8                             | = 11    | Holding force FH (N) | = 7530 | m6                       | =      |
| d3                                | = 6.8   | l1                   | = 244  | Max clamping moment (Nm) | =      |
| d4                                | = G 1/8 | l2                   | = 63.0 | Piston diameter          | =      |
| d h8                              | = 50    | m1 +/-0.01           | = 22   | r                        | =      |